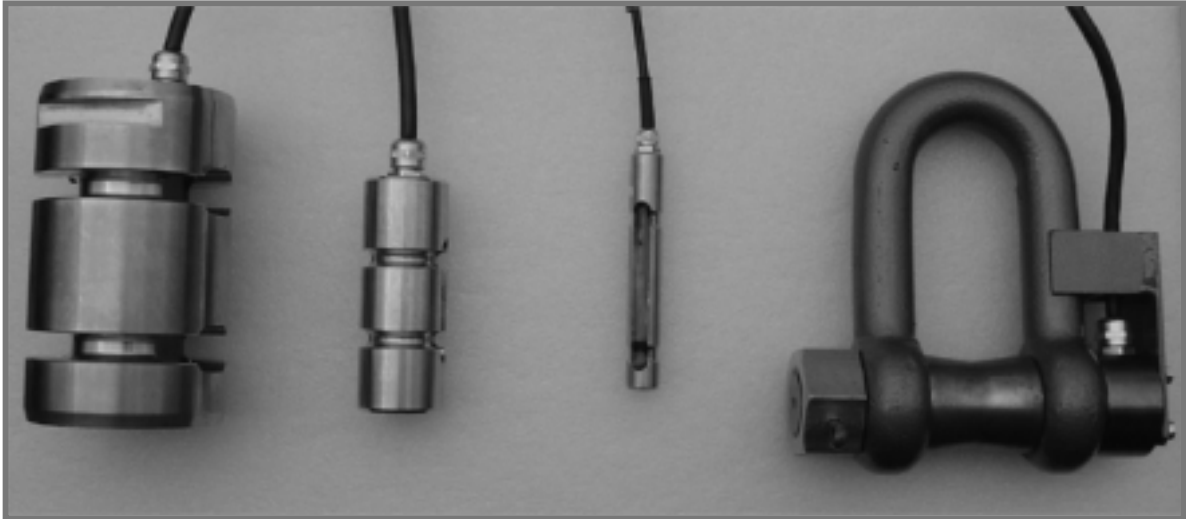


Stainless Steel

LOAD PIN

**DBEP
Series**



- Capacities 200kg to 1500 tonnes
- Sealed to IP67 (optional IP68 submersible versions available)
- Special sizes and ranges available
- Anti-rotation plate available if required
- Robust Construction
- Amplified output & integral connectors available
- 3 YEAR WARRANTY

Options Available

Hose protected cable

Specials to meet Offshore & Marine specifications

DESCRIPTION

The DBEP series load pins are ideal for measuring bi-directional forces in general applications. All pins are manufactured in precipitation hardened stainless steel, and supplied with anti-rotation plates when required.

The minimum environmental sealing level of IP67 on all DBEP pins ensures that they are suitable in the arduous conditions encountered in many industrial applications. For situations where seawater immersion is required, specialised IP68 sealing glands can be fitted to ensure long life.

The DBEP series is supplied in standard ranges from 2.5tonnes to 50tonnes. However, the nature of this style of product means that most pins are manufactured to meet customers' specific dimensional requirements, we will therefore be pleased to discuss any special requirements with you.

The DBCL series can be supplied as 'pin only' or coupled with our extensive range of instrumentation to provide a complete load monitoring solution.

Transducer Specialists...

APPLIED MEASUREMENTS LIMITED

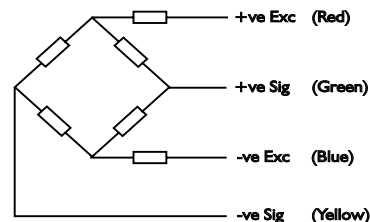
3 MERCURY HOUSE - CALLEVA PARK - ALDERMASTON - BERKSHIRE - RG7 8PN - UK

Tel: (+44) 0118 981 7339 Fax: (+44) 0118 981 9121 email: info@appmeas.co.uk Internet: www.appmeas.co.uk



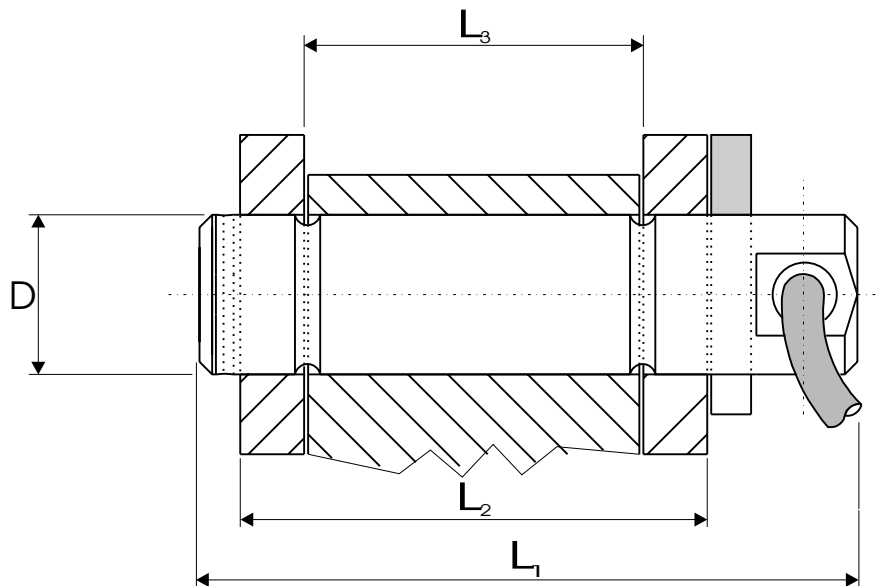
SPECIFICATION

Wiring Schematic Diagram



CHARACTERISTICS	DBEP	UNITS
Rated Capacities:	0.5, 1, 2.5, 3.5, 6.5, 15, 25, 50, 100, 250, 500, 750, 1000, 1500	Tonnes
Rated Output:	1.0 to 1.5 at rated load (nominal, dependent on range)	mV/V
Non-linearity:	<0.25 to 2	±% of Rated Capacity
Non-repeatability:	<0.04	±% of Rated Capacity
Temperature Range Operating:	-20 to +70	°C
Compensated:	-10 to +50	°C
Temperature Effect On Output:	<0.010	±% of Applied Load/°C
On Zero:	<0.010	±% of Rated Output/°C
Safe Overload:	150	% of Rated Capacity
Ultimate Overload:	300	% of Rated Capacity
Excitation Recommended:	10	VAC or VDC
Maximum:	15	VAC or VDC
Input Impedance:	375 ± 10	Ohms
Output Impedance:	350	Ohms
Insulation Impedance:	>500	Megaohms
Construction:	Stainless Steel	
Environmental Protection:	IP67 (IP68 submersible optional)	
Electrical Connection:	3m 4-core screened PUR cable	

NOTE: Due to varying load pin geometry, which is governed by the location and application, non-linearity and non-repeatability performance of the DBEP series may vary.



All dimensions in mm

RANGE (te)	D	L ₁	L ₂	L ₃
2.5	25	100	70	45
3.5	30	105	75	50
6.5	40	125	95	53
15	50	150	114	75
25	63	195	152	89
50	75	225	178	102

Please contact sales to discuss capacities below 2.5t or above 50t

