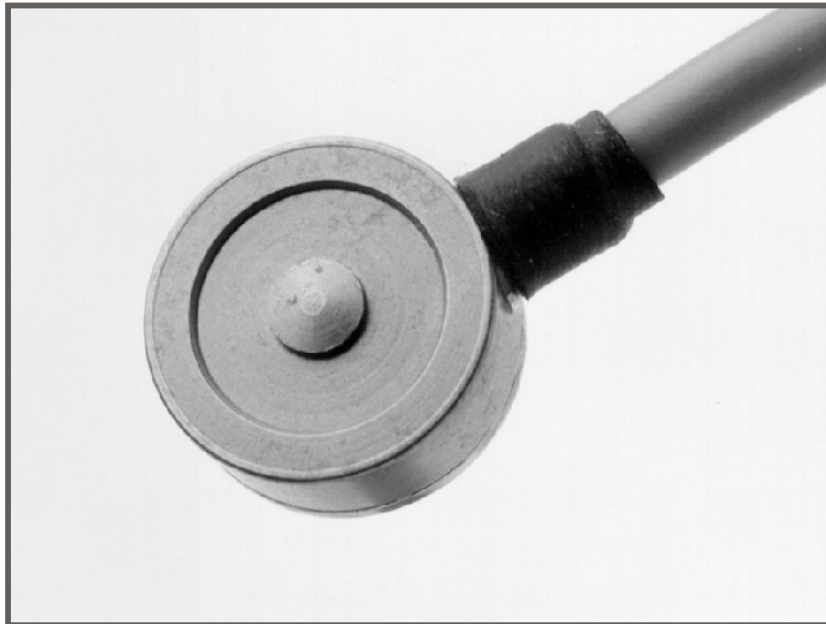


**Stainless Steel
Miniature Compression
LOAD CELL**

**CDF
Series**



- Capacities 500N to 2kN
- Sealed to IP65
- Just 15mm in diameter and 8mm in height
- Integral Load Button
- Robust Construction
- 3 YEAR WARRANTY

Options Available

Non-Standard sizes available on request

Other ranges available on request

Special mounting adaptors available on request

Shunt Calibration Facility

Different temperature compensation ranges available

DESCRIPTION

The CDF range of low profile miniature load cells is designed for the measurement of compressive forces.

The CDF is equally suited for both Force Measurement and Weighing applications alike. Its compact size means that it can be fitted in to the smallest of space envelopes and is often retrofitted.

The small physical size has made it very attractive in many industrial process measurement applications for monitoring or control purposes. It is equally suited and performs well in a wide range different research and development applications.

The CDF, as with all other Applied Measurements sensors, can be supplied complete with monitoring/control electronics and calibrated as a system (please refer to the Instrumentation datasheets).

Transducer Specialists...

APPLIED MEASUREMENTS LIMITED

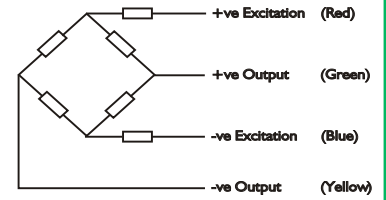
3 MERCURY HOUSE - CALLEVA PARK - ALDERMASTON - BERKSHIRE - RG7 8PN - UK

Tel: (+44) 0118 981 7339 Fax: (+44) 0118 981 9121 email: info@appmeas.co.uk Internet: www.appmeas.co.uk

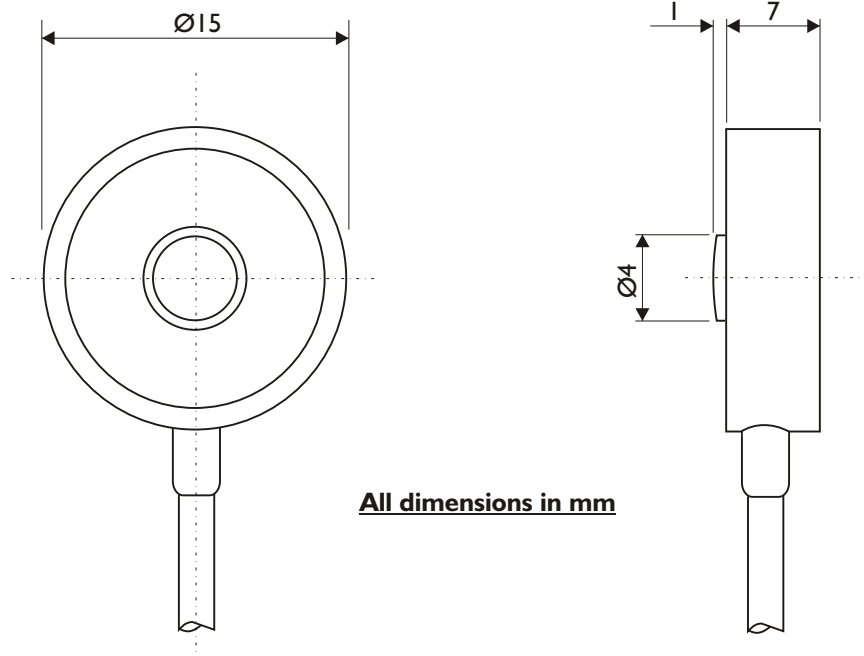


SPECIFICATION

Wiring Schematic Diagram



CHARACTERISTICS	CDF	UNITS
Rated Capacities:	0.5, 1, 2	kN
Rated Output:	1.5 nominal	mV/V
Non-Linearity:	<0.50	±% of Rated Output
Hysteresis:	<0.50	% of Rated Output
Zero Balance:	<1.0	±% of Rated Output
Temperature Range Operating:	-20 to +80	°C
Compensated:	0 to +70	°C
Temperature Effect On Output:	<0.005	±% of Applied Load/ °C
On Zero:	<0.030	±% of Rated Output/ °C
Safe Overload:	125	% of Rated Capacity
Ultimate Overload:	150	% of Rated Capacity
Excitation Recommended:	10	Volts AC or DC
Maximum:	15	Volts AC or DC
Input Impedance:	375	Ohms
Output Impedance:	350	Ohms
Insulation Impedance:	>500	Megaohms
Construction:	Stainless Steel	
Environmental Protection:	IP65	
Cable:	2 Metre 4 Core Screened	



All dimensions in mm

For higher or lower measuring ranges look at our CDFM3 which is available in capacities from 0-100N up to 0-20kN

