

Load Cell Mounting **ACCESSORIES**

VESSEL & SHOCK
MOUNTS for
OBBS SERIES



VESSEL MOUNT ASSEMBLY

- **Stainless Steel Construction**
- **Easy Lifting and Removal of Load Cell**
- **Rugged Construction**
- **Integral Vessel Jacking Facility**
- **Anti-Lift Mechanism for Greater Vessel Stability**
- **Reduces Installation Time**

SHOCK MOUNT ASSEMBLY

- **Plated Steel Construction**
- **Minimises the effects of Vibration**
- **Ease of Assembly reduces Installation Time**

VESSEL MOUNT ASSEMBLY

The Vessel Mount assembly for both the OBBS Series of load cells is simple to install and easy design into new or existing installations. The mounts can be installed with or without the load cells in position. Plant down time is reduced to an absolute minimum and the risk of damage to the load cell is eliminated during installation.

The mount provides a permanent Integral Safety Jacking System for your vessel.

Vessel Movement due to thermal effects is accommodated with no loss of performance or accuracy by means of it's built-in Free Motion load adaptor.

A substantial protection plate is positioned above the cable outlet to prevent damage by falling objects or misuse.

Maximum Safety Protection from the effects of wind or accidental collision are built-in. When vessels being weighed are in hazardous areas, heavy duty earth straps ensure that no potential difference between the upper and lower plates occurs. This low resistance path also assists in removing strong welding currents.

SHOCK MOUNT ASSEMBLY

The shock mount assembly is designed to enable successful weighing when a vessel or hopper is subjected to external forces, such as vibration. The complete assembly is supplied enabling the client to source all the items from a single source, reducing the need for in depth research and endless sourcing problems.

Transducer Specialists...

APPLIED MEASUREMENTS LIMITED

3 MERCURY HOUSE - CALLEVA PARK - ALDERMASTON - BERKSHIRE - RG7 8PN - UK

Tel: (+44) 0118 981 7339 Fax: (+44) 0118 981 9121 email: info@appmeas.co.uk Internet: www.appmeas.co.uk

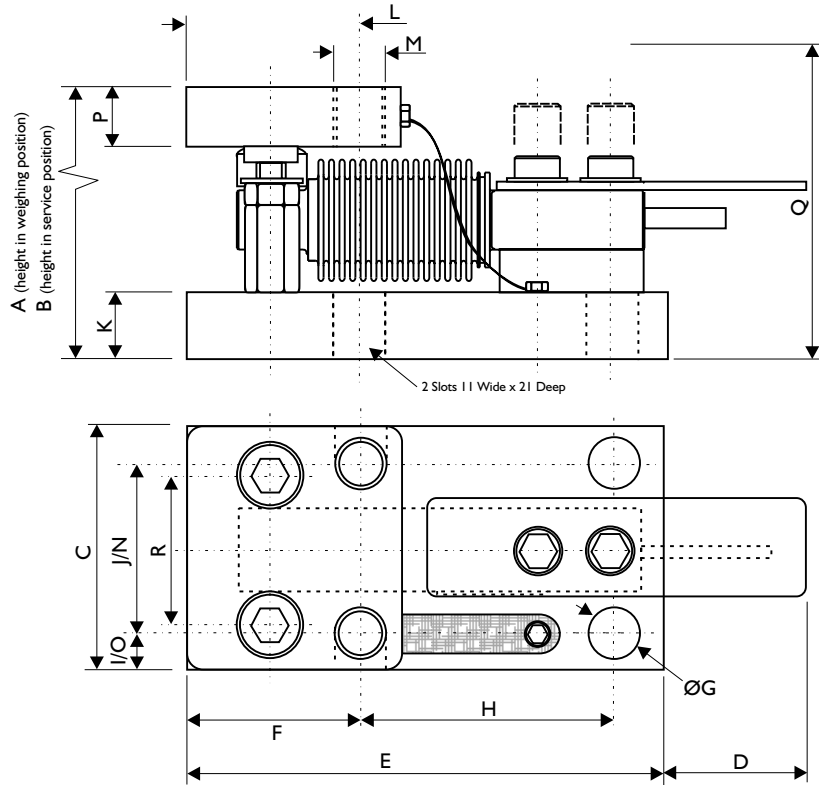


SPECIFICATION

VESSEL MOUNT FOR OBBS LOAD CELLS

All dimensions in mm

MODEL	OBBS
RANGE	5-500kg
A	80
B	86
C	100
D	50
E	132
F	42
G	11.0
H	76
I	100
K	15
L	42
M	M12
N	70
P	15
Q	78
R	60



SHOCK MOUNT FOR OBBS LOAD CELLS

All dimensions in mm

MODEL	OBBS
RANGE	5-250kg
A	96
C	50
D	12
E	100
F	120
G	10
H	8.5
I	7
ØJ	72 max.
K	M10
R	110

