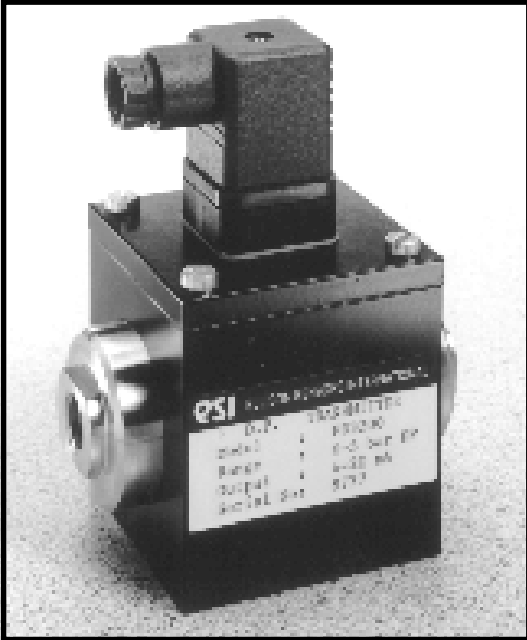


# PROTRAN<sup>®</sup> PR3200 DIFFERENTIAL PRESSURE TRANSMITTER



- **ACCURATE AT VERY WIDE DP RANGE**
- **HIGH STABILITY and REPEATABILITY**
- **WET / WET OPERATION**
- **4-20mA TWO-WIRE OUTPUT**
- **ZERO + SPAN ADJUSTMENT ON-SITE**
- **RANGES 250mbarDP to 200barDP**
- **UNI + BI-DIRECTIONAL OPERATION**

## DESCRIPTION

The PR3200 Differential Pressure Transmitter uses two matched ceramic pressure diaphragms, offering high stability and performance with true wet/wet operation, suitable for use with all liquids and gasses compatible with stainless steel and alumina. Flush diaphragm models are available with integral or remote pressure diaphragms for hygienic applications.

Applications include flow measurement with pitot tubes, orifice plates and mass flow meters, plus static differential pressure measurement and control in combustion chambers and clean rooms, also condition monitoring and filter monitoring in high pressure hydraulic systems or any application on liquid or gas requiring reliable differential pressure measurement.

Electrical connection is DIN plug and socket, access to zero and span adjustment is made by removing top plate for easy on-site adjustment.

Pressure connection as standard is via two ¼" BSP female connections.

Mounting Plate available for stand-pipe or bulk-head mounting.

Ranges available from 0-250mbarDP to 0-200barDP.

# PROTRAN<sup>®</sup> PR3200 DIFFERENTIAL PRESSURE TRANSMITTER

## SPECIFICATION

### INPUT

Pressure ranges.....0-250 mbarDP  
to 0-200 barDP  
Pressure reference.....Differential  
Operation mode.....Uni or Bi-directional  
Static pressure max.....4 x range (max)  
Common mode pressure.....4 x range (max)

### OUTPUT

Span.....4-20 mA  
Type.....2 wire

### ACCURACY

Zero offset.....<±1% FSO  
Span tolerance.....<±1% FSO  
Combined non-linearity / hysteresis ....<±0.3% FSO  
Repeatability.....<±0.1% FSO  
Long term stability.....<±0.2% FSO / 6 months  
Common mode pressure error .....<±2% / 4 x DP range

### ELECTRICAL

Supply voltage.....13-36Vdc  
Supply voltage effects.....3µA/V

Reverse polarity..... Protected  
Load driving capability..... 1150Ω @ 36Vdc  
Output short circuit (to ground) No damage  
Insulation resistance..... 100MΩ @ 100Vdc elec conn to case  
Response time (63%)..... 1.5mS  
Adjustment..... ±10%FSO Zero and Span

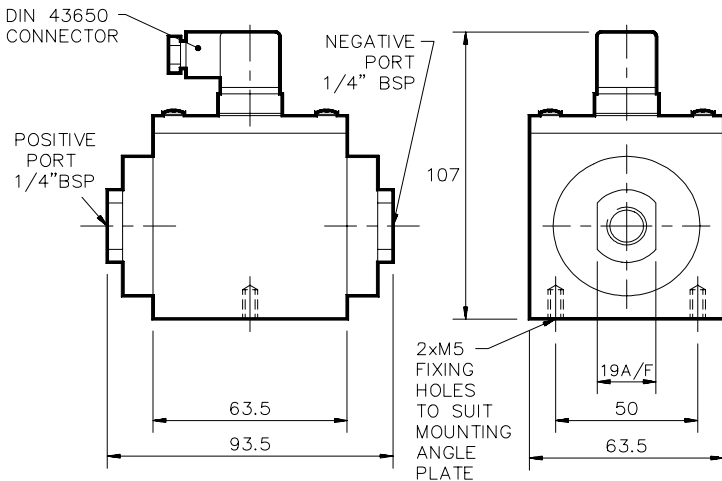
### ENVIRONMENTAL

Pressure media..... Compatible with alumina +304 S.S  
Operating temperature range.. -20 to +85 °C  
Storage temperature range..... -40 to +90°C  
Thermal effect Zero..... <±0.03% FSO/°C  
Thermal sensitivity.....<±0.03% FSO/°C  
Vibration tolerance..... 10g's to 50Hz  
Mechanical shock tolerance.... 15g@s (11mS)  
Operating humidity..... 95% RH

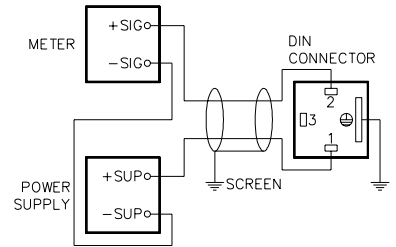
### PHYSICAL

Pressure connections..... ¼" BSP female x 2  
Electrical connection..... DIN plug + socket to DIN43650  
Mounting..... Via mounting plate (optional extra)  
Enclosure rating..... IP65  
Natural frequency..... 10 KHz (min)  
Weight..... 780 grams  
Materials..... 300 series stain'stl body/  
connector alumina diaphragm

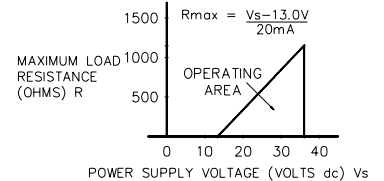
## DIMENSIONS / WIRING DETAILS



## TRANSMITTER WIRING DIAGRAM



## LOAD DRIVING CHART



## ORDERING INFORMATION

STATE MODEL NUMBER AND PRESSURE RANGE REQUIRED:-  
ie: PR3200 0-10mbarDP

MODEL NO.	DESCRIPTION
PR3200	DP Transmitter 0-250mbar to 0-200 bar
PR3200/MP	Mounting Angle Plate

## D.P. PRESSURE RANGES

0 - 250 mbar	0 - 10 bar
0 - 500 mbar	0 - 20 bar
0 - 750 mbar	0 - 40 bar
0 - 1 bar	0 - 100 bar
0 - 2 bar	0 - 200 bar
0 - 4 bar	