



APPLIED MEASUREMENTS LTD.
Transducer Specialists...

+44 (0) 118 981 7339

info@appmeas.co.uk

<https://appmeas.co.uk>

T24-ACMm & T24-BB1 2.4GHz Ultra-Mini Wireless Telemetry Acquisition Module & Battery Pack

Key Features:

- For use with all T24 Acquisition Modules
- Single Channel
- Up to 1 Year Life from 2 x 'AAA' Batteries
- Sub-Miniature IP50 Rate Enclosure
- Field Connection Terminals
- Optional BB1 Battery Pack (2 x 'AAA' Size)
- Miniature Connectivity Enclosure (20 x 35 x 60mm)
- For Strain, Current or Voltage Input
- High Speed 200 Updates Per Second
- High Resolution of up to 1 Part in 400,000 (18 bit)
- Simple Configuration and Calibration of Acquisition Module via PC using Base Station & T24 Toolkit Software
- 3 Years Warranty



Every T24 transmitter module can be ordered in one of three IP rated enclosures - T24-ACM, T24-ACMi and T24-ACMm. The T24-ACMm is an ultra-compact enclosure designed for any of the T24 telemetry acquisition modules; T24-SA (Strain Acquisition), T24-IA (0-20mA Current Acquisition), T24-VA (0-10V Voltage Acquisition).

The enclosure has simple 2 part screw field terminals for easy wiring to a variety of sensors. Users also have the option to fit wired completion resistors allowing a strain input to be either full, half or quarter bridge input.

The optional T24-BB1 provides battery power using 2 x AAA Cells with a potential battery life of up to 1 year (depending on the configuration of your system) and is connected to the ACMm via simple 2 part screw field terminals for easy wiring.

The T24-ACMm is supplied with your chosen T24 acquisition module installed when you purchase the two together, leaving you to simply wire your sensor into the screw-type wiring terminals and connect the optional T24-BB1 battery holder containing 2x 'AAA' size batteries.

The T24-ACMm acquisition connectivity module enclosure is rated to IP50 making it suitable for use in many general industrial and laboratory environments where the integrated antenna provides a transmission range of up to 500 metres in ideal conditions. [Ask us a question](#) or see our [full range of wireless telemetry instrumentation](#).

Options:

- Batteries or External Power Supply
- Signal Input Options:
 - Strain Gauge (Load Cells, Force Transducers, Pressure Sensors, etc.)
 - Fast Strain Gauge (2kHz version of above).
 - Current (4-20mA or 0-20mA input).
 - Voltage (0-5Vdc, 0-10Vdc, 0-4.5Vdc, 1-5Vdc, 1-6Vdc, etc.).
 - Temperature (for PT100 type 385 sensors).
 - Pulse (Outputs in rpm, Hz, and time, actual pulse counting and measuring the period between pulses).
 - Potentiometer (For any potentiometer-based sensor with a resistance of between 500Ohms and 100kOhms).



APPLIED MEASUREMENTS LTD.

Transducer Specialists...

+44 (0) 118 981 7339

info@appmeas.co.uk

<https://appmeas.co.uk>

Industries:

- Civil Engineering
- Lifting & Handling
- Waste Management
- Alternative Energy
- Construction
- Automotive
- Silo & Weighing Industry
- Marine

Applications:

- Wireless Monitoring of Bridge Structures
- Wireless Monitoring of Anchor Loads
- Wireless Bridge Surveying via GPRS
- Wireless Truck Load Weight Monitoring
- Wireless Skip Weighing System
- Wireless Platform Weighing with Ticket Printing
- Wireless Monitoring of Building Foundations
- Wireless Telemetry Strain Measurement of Wind Turbines
- Remote Load Monitoring of Construction Shoring Struts
- Force Measurement in Formula Racing
- Wireless Silo Weighing
- Superyacht Sail-Track Development
- Telemetry Monitoring on High Altitude Roads
- Radio Telemetry Monitoring of Underwater Turbine
- Wireless Mooring Rope Monitoring
- Wireless Valve Control
- Torque Measurement Using Wireless Technology
- Measuring the Power Output of a Motor

Specification:

Radio	Min	Typical	Max	Units
Licence		Licence Exempt		
Modulation Method		MS (QPSK)		
Radio Type		Transceiver (2 way)		
Data Rate		250		K bits / second
Radio Frequency	2.4000		2.4835	GHz
Power		10		mW
Range*			800	Metres
Channels (DSSS)		15		

*Tests conducted in an open field site with the transmitter at the top of a 3m pole. The receiver was mounted 1.5m off the ground.

Ordering Codes:

Input Modules (Determined by Order Code)	
T24-ACMm-SA	Strain Gauge (load cells, force transducers, pressure sensors, etc.).
T24-ACMm-SAf	Fast Strain Gauge (2kHz version of the above).
T24-ACMm-IA	Current (4-20mA or 0-20mA input).
T24-ACMm-VA	Voltage (0-5Vdc, 0-10Vdc, 0-4.5Vdc, 1-5Vdc, 1-6Vdc, etc.).
T24-ACMm-TA	Temperature (for PT100 type 385 sensors).
T24-ACMm-PA	Pulse (Outputs in rpm, Hz, and time, actual pulse counting and measuring the period between pulses).
T24-ACMm-RA	Potentiometer (for any potentiometer-based sensor with a resistance).



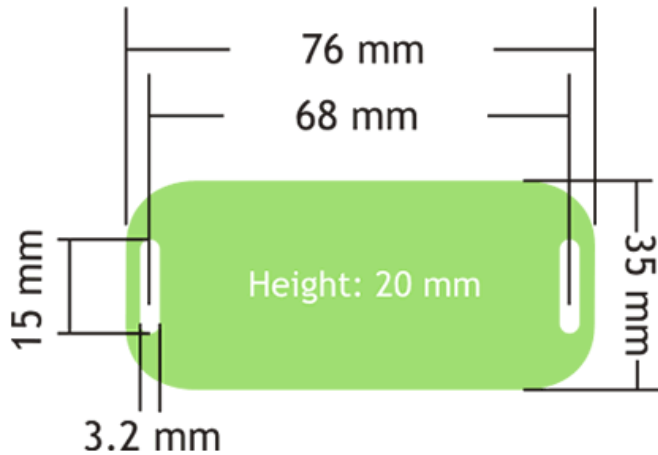
APPLIED MEASUREMENTS LTD.
Transducer Specialists...

+44 (0) 118 981 7339

info@appmeas.co.uk

<https://appmeas.co.uk>

Dimensions (mm):



Associated Products:



[T24-ACM Wireless Sensor Module Enclosure with External Power](#)



[T24-ACMi Mini Sensor Enclosure](#)



[T24-ACMm Mini Data Transmitter Case for Strain, 0-20 mA, 0-10 V](#)



[T24-HA Radio Telemetry Handheld Display up to 12 Inputs](#)



[T24-HS Radio Telemetry Portable Display for 1 Wireless Sensor](#)



[T24-HR Radio Telemetry Handheld for Multiple Transmitter Modules](#)



[T24-BSi Radio telemetry base station with USB, RS485 or RS232](#)



[T24-BSu Wireless radio telemetry USB base station](#)