



T24 Wireless Telemetry Antennas

Key Features:

- Increases Transmission Range
- Compact
- Robust
- Compatible With T24 Acquisition Modules With External UFL Connectors ('e' Models)
- Cable Length 100mm (4")
- 3 Different Versions (PCB, Fixed, Variable)
- Up to 200m Range
- UFL Antenna Connectors
- Surface and Bulkhead Options
- 3 Years Warranty
- Low Profile



There are the three antenna options available for T24 telemetry acquisition modules that are fitted with a UFL connector (models with the 'e' option, i.e. T24-SAe, T24-IAe, T24-VAe).

The part numbers for the options are T24-ANTA, T24-ANTB, T24-ANTC, T24-ANTD and T24-ANTE.

Storage temperature: -40°C to +90°C, Operating temperature: -20°C to +85°C.

T24-ANTA: PCB antenna designed to be fitted inside a plastic enclosure.

T24-ANTB: Whip antenna with fixed 90 degree elbow for external mounting.

T24-ANTC: Whip antenna with variable angled elbow for external mounting.

The T24-ANTD is a 'puck' antenna for external mounting, ideal for applications requiring a low physical profile and high gain. Fitted with a 0.6m cable and RPSMA connector and supplied with a 100 mm RPSMA to UFL adaptor cable.

The T24-ANTE is a 'puck' antenna designed for external mounting, ideal for applications requiring a low physical profile and high gain. Fitted with a 100 mm cable and UFL connector.

All our external antennas are weatherised.

Industries:

- Civil Engineering
- Lifting & Handling
- Waste Management
- Alternative Energy
- Construction
- Automotive
- Silo & Weighing Industry
- Marine

Applications:

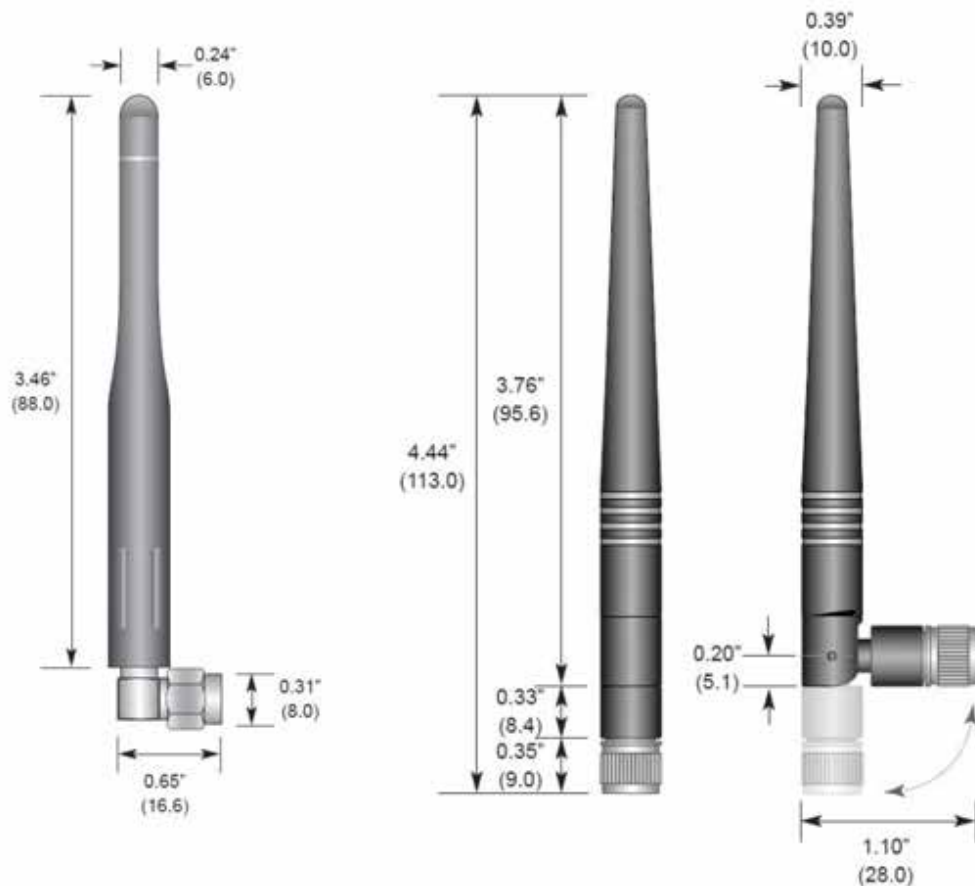
- Wireless Monitoring of Bridge Structures
- Wireless Monitoring of Anchor Loads
- Wireless Bridge Surveying via GPRS
- Wireless Truck Load Weight Monitoring
- Wireless Skip Weighing System
- Wireless Platform Weighing with Ticket Printing
- Wireless Monitoring of Building Foundations
- Wireless Telemetry Strain Measurement of Wind Turbines
- Remote Load Monitoring of Construction Shoring Struts
- Force Measurement in Formula Racing
- Wireless Silo Weighing
- Superyacht Sail-Track Development
- Telemetry Monitoring on High Altitude Roads
- Radio Telemetry Monitoring of Underwater Turbine
- Wireless Mooring Rope Monitoring
- Wireless Valve Control
- Torque Measurement Using Wireless Technology
- Measuring the Power Output of a Motor



Specification:

T24-Antennas				
Environmental	Min	Typical	Max	
Operating Temperature Range	-20	-	+85	°C
Storage Temperature Range	-40	-	+85	°C
Humidity	0	-	95	%RH
CE Environmental Approvals	European EMC Directive 2004/108/EC			
	Low Voltage Directive 2006/95/EC			

Dimensions (mm):





APPLIED MEASUREMENTS LTD.
Transducer Specialists...

+44 (0) 118 981 7339

info@appmeas.co.uk

<https://appmeas.co.uk>

Ordering Codes:

T24-ANTA	Antenna for OEM PCB 'e' variants only (PCB)
T24-ANTB	Antenna for OEM PCB 'e' variants only (Whip)
T24-ANTC	Antenna for OEM PCB 'e' variants only (Swivel)
T24-ANTD	Antenna for OEM PCB 'e' variants only (Puck, 0.6 m cable)
T24-ANTE	Antenna for OEM PCB 'e' variants only (Puck, 100 mm cable)

Associated Products:



[T24-SA Strain gauge to wireless telemetry converter](#)



[T24-SAf Strain gauge to wireless telemetry converter 2kHz](#)



[T24-IA Current to wireless telemetry converter](#)



[T24-VA Voltage to wireless telemetry converter](#)



[T24-PA Pulse to wireless telemetry converter](#)



[T24-RA Wireless potentiometer for displacement sensor](#)



[T24-TA Temperature to wireless telemetry converter](#)