

Flange Type

TORQUE SENSOR

YDH
Series



- Torque Ranges 200Nm to 80kNm
- 0.3% Accuracy Class
- Design for High RPM capability
- Slip ring technology
- Flange coupling
- Up to 5000rpm
- 3 YEAR WARRANTY

Options Available

Customer-specific measuring ranges

Supplied With Any Instrumentation and Calibrated as a Complete System with Traceable Certificate

DESCRIPTION

The YDH torque sensors are slip ring rotating transducers and have flange drives at both ends. They feature high accuracy and are designed for applications with minimal space.

The YDH series can be further complimented by any of our range of instrumentation to offer a complete system, supplied and calibrated from a single supplier.

Transducer Specialists...

APPLIED MEASUREMENTS LIMITED

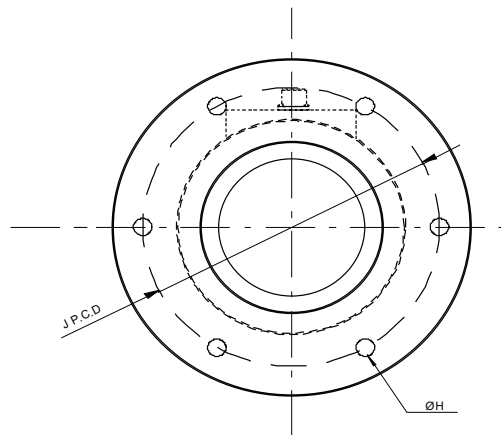
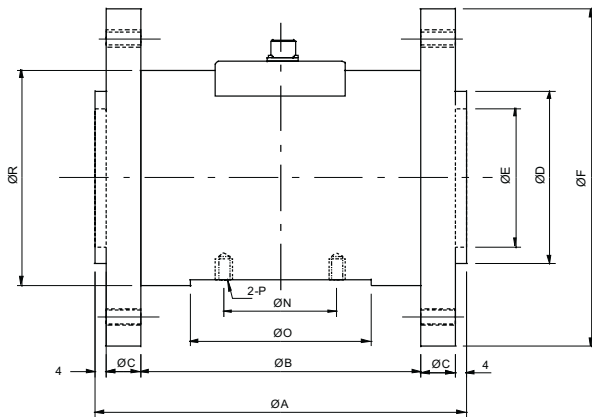
3 MERCURY HOUSE - CALLEVA PARK - ALDERMASTON - BERKSHIRE - RG7 8PN - UK

Tel: (+44) 0118 981 7339 Fax: (+44) 0118 981 9121 email: info@appmeas.co.uk Internet: www.appmeas.co.uk



SPECIFICATION

CHARACTERISTICS	YDH	UNITS
Torque Ranges:	200Nm - 80kNm	
Rated Output (FSO):	1.5	mV/V
Excitation Voltage:	10	VDC
Safe Overload:	150	% FSO
Non-Linearity:	0.3	±% FSO
Repeatability:	0.3	±% FSO
Hysteresis:	0.3	±% FSO
Temperature Range Operating:	-20 to +70	°C
Compensated:	-10 to +60	°C
Temperature Effect on Zero:	0.008	±%FSO/°C
Temperature Effect on Output:	0.008	±%FSO/°C
Terminal Resistance (Input/Output):	350±5	ohms
Insulation Resistance:	300	megohms
Environmental Protection:	IP50	
Cable:	3m Screened, Ø7mm	



CAPACITY	A	B	C	ØD	ØE	ØF	ØR	ØH	N	ØP	J	O	RPM
200Nm	131	99	12	65	52	127	81	6x6.5	40	M6x8DP	105	64	5.000
500Nm	133	101	12	76	62	136	88	6x8.5	40	M6x8DP	114	64	4.000
1kNm	131	99	12	86	68	156	100	8x10.5	48	M8x8DP	130	64	4.000
3kNm	147	107	16	102	75	172	116	8x10.5	50	M8x8DP	146	68	3.000
5kNm	142	102	16	107	81	184	128	8x10.5	56	M8x8DP	158	74	3.000
10kNm	160	112	20	128	102	220	156	8x12.5	64	M10x8DP	186	80	2.000
30kNm	192	134	25	195	150	274	210	8x12.5	70	M10x8DP	244	92	1.000
50kNm	198	140	25	216	174	316	210	8x14.5	80	M10x8DP	278	100	1.000
80kNm	209	145	28	242	200	366	210	8x18.5	80	M12x8DP	316	100	1.000

