

Shaft type

TORQUE SENSOR

YDS
Series



- Torque Ranges 0.2Nm to 20Nm
- 0.5% Accuracy Class
- Suitable for continuously rotating applications
- Up to 3000rpm
- 3 YEAR WARRANTY

Options Available

Customer-specific measuring ranges

Supplied With Any Instrumentation and Calibrated as a Complete System with Traceable Certificate

Description:

The YDS torque sensors are designed for low torque applications on continuously rotating equipment. They feature high accuracy and excellent long term stability. Typical uses include industrial applications motors, pumps and automotive components.

The YDS series can be further complimented by any of our range of instrumentation to offer a completed system, supplied and calibrated from a single supplier.

Transducer Specialists...

APPLIED MEASUREMENTS LIMITED

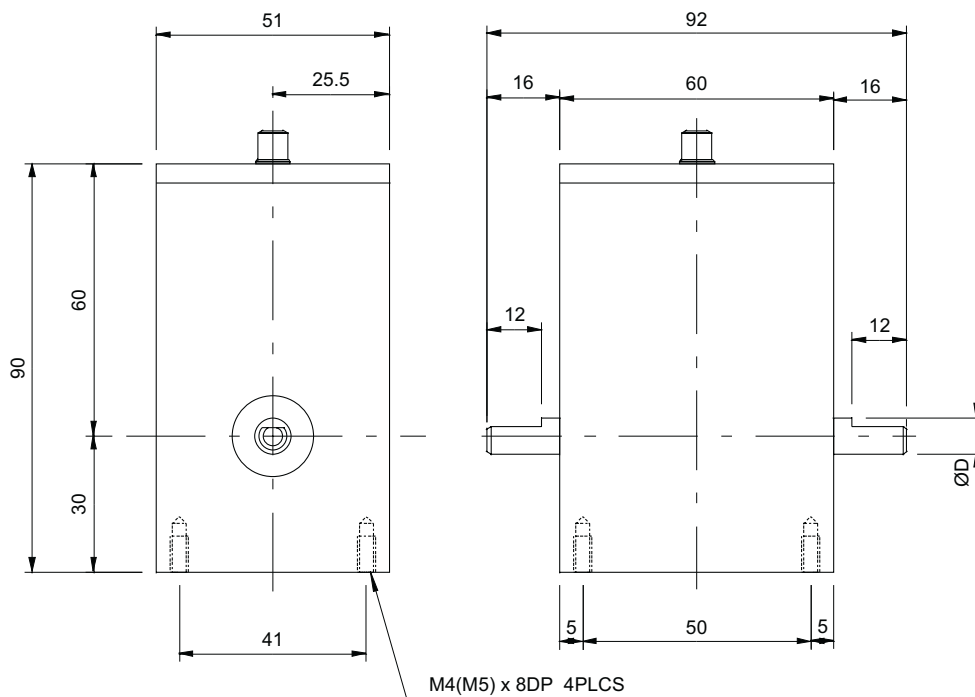
3 MERCURY HOUSE - CALLEVA PARK - ALDERMASTON - BERKSHIRE - RG7 8PN - UK

Tel: (+44) 0118 981 7339 Fax: (+44) 0118 981 9121 email: info@appmeas.co.uk Internet: www.appmeas.co.uk



SPECIFICATION

CHARACTERISTICS	YDS	UNITS
Torque Ranges:	0.2 - 20	Nm
Rated Output (FSO):	1.3 ±1%	mV/V
Excitation Voltage:	10	VDC
Safe Overload:	150%	% FSO
Non-Linearity:	0.5	±% FSO
Repeatability:	0.5	±% FSO
Hysteresis:	0.5	±% FSO
Temperature Range Operating:	-20 to +70	°C
Compensated:	-10 to +60	°C
Temperature Effect on Zero:	0.008	±%FSO/°C
Temperature Effect on Output:	0.01	±%FSO/°C
Terminal Resistance (Input/Output):	350±3.5	ohms
Insulation Resistance:	300	megohms
Environmental Protection:	IP50	
Cable:	3 screened, Ø4 mm	



CAPACITY	ØD
0.2 - 20Nm	8 h6
3 - 5Nm	12 h6
10 - 20Nm	18 h6

